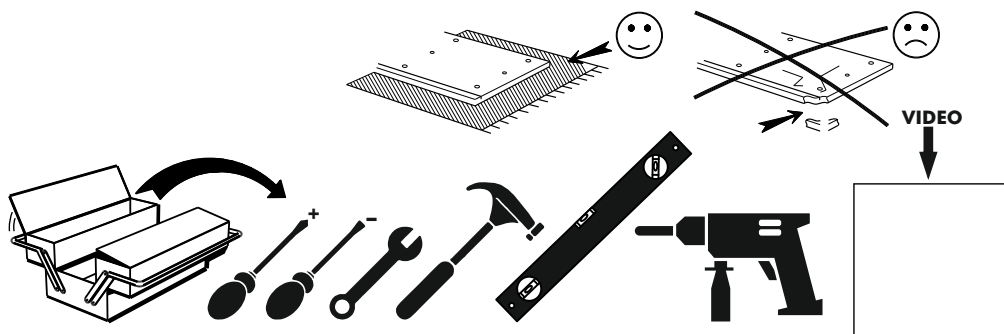
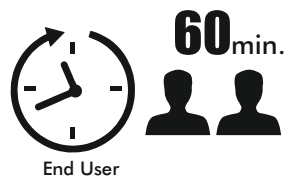
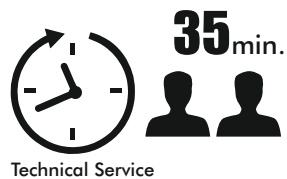
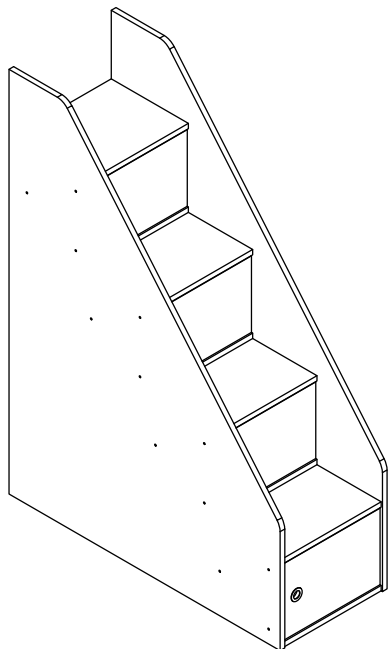




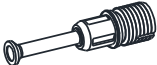

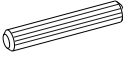

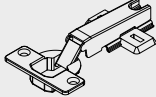
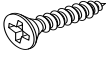

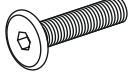
MULTIMO

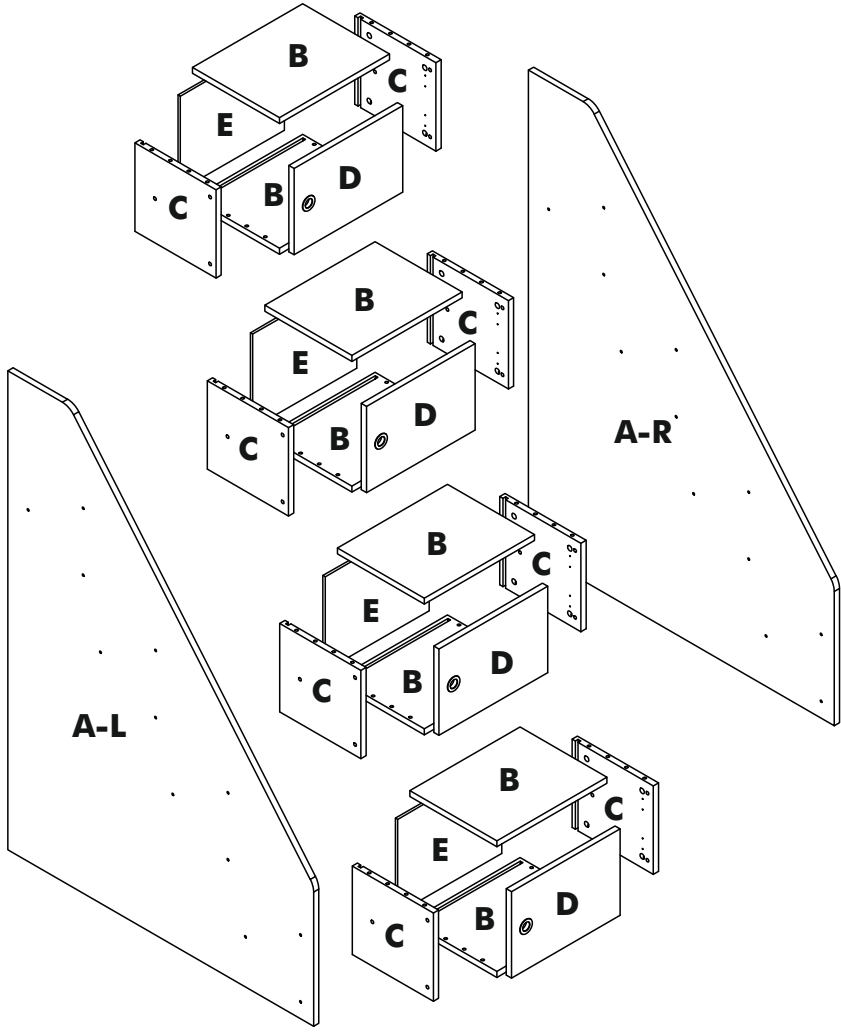
731- LADDER



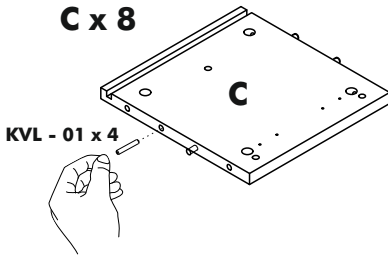
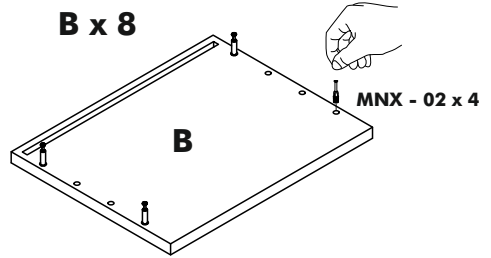
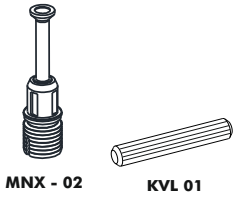
Track Title	Piece	(inch)			(mm)			
		Thickness	Length	Width	Piece	Thick	Height	Most
A	2	0,71	56,34	41,54	2	18	1431	1055
B	8	0,71	14,96	11,81	8	18	380	300
C	8	0,71	10,39	11,02	8	18	264	280
D	4	0,71	14,76	10,16	4	18	375	258
E	4	0,31	14,13	11,06	4	8	359	281

Accessories List

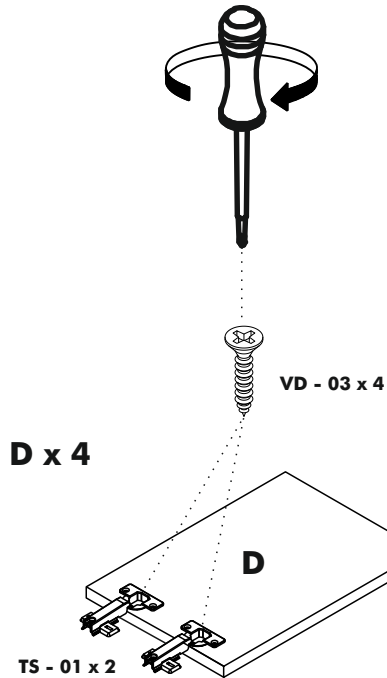
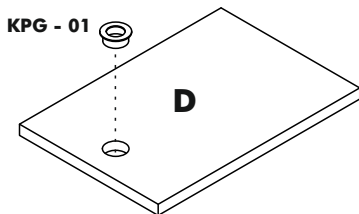
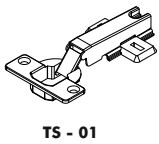
MNX 02  32 / piece	MNG - 01  32 / piece	KVL 01  32 / piece	TAP - 01  32 / piece
TS - 01  8 / piece	VD - 03 (3,5x18) mm  32 / piece	KPG - 01  4 / piece	CT - 05 (6x35) mm  24 / piece



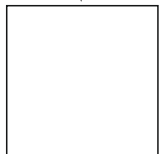
STEP 1



STEP 2



VIDEO

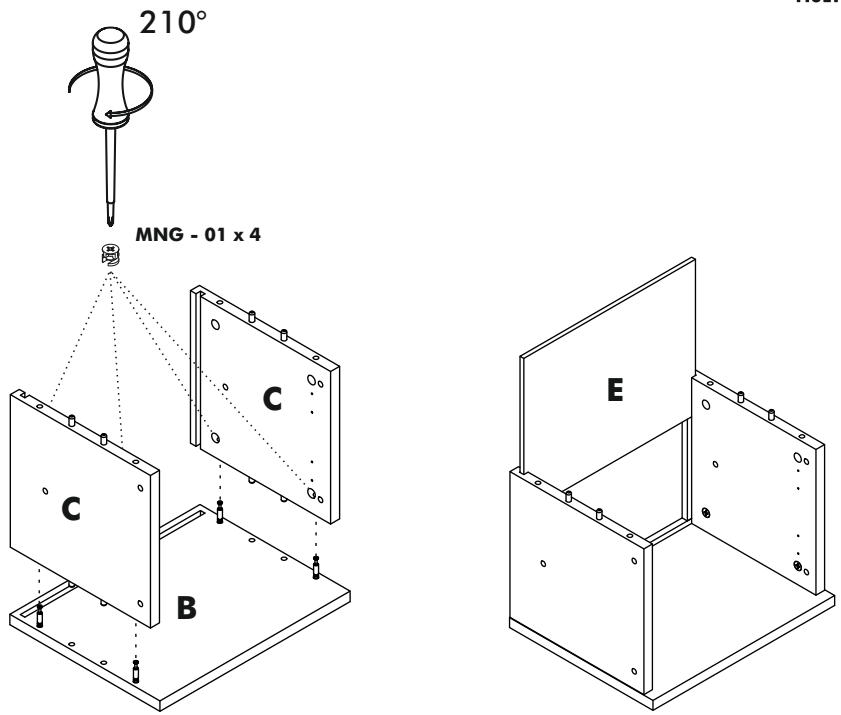


link

STEP 3



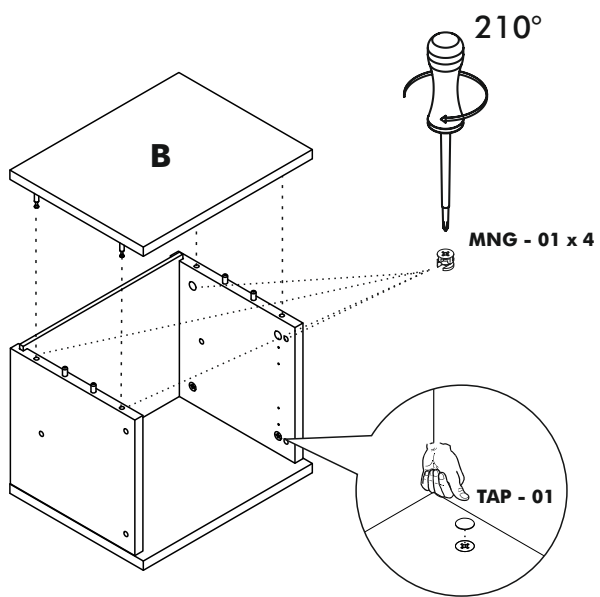
MNG - 01



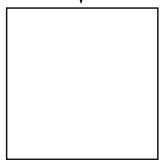
STEP 4



MNG - 01

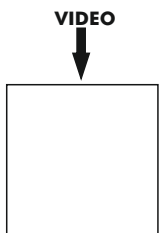
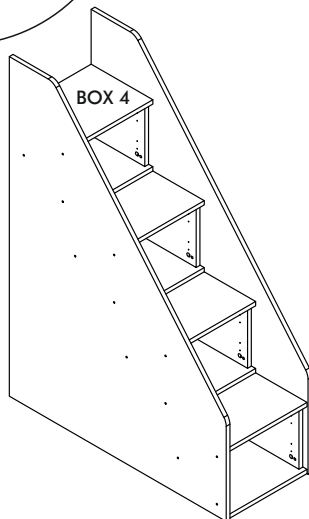
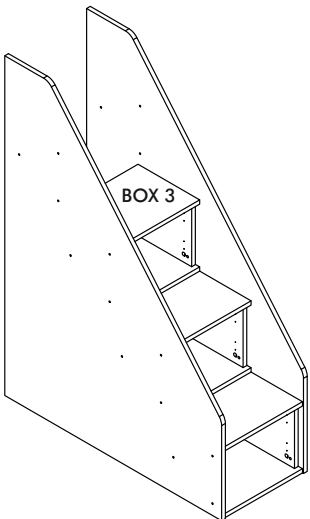
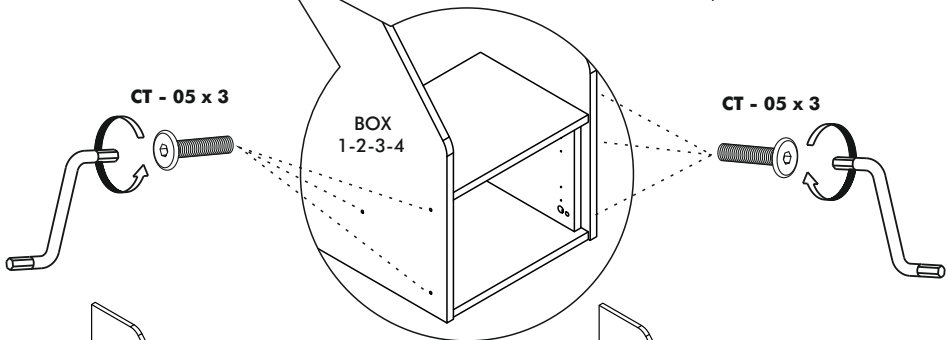
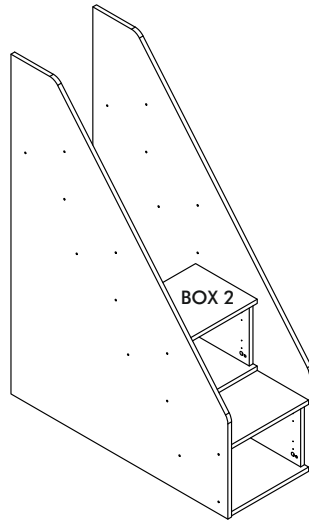
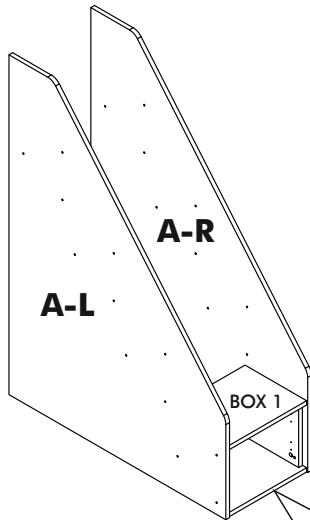


VIDEO

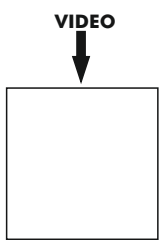
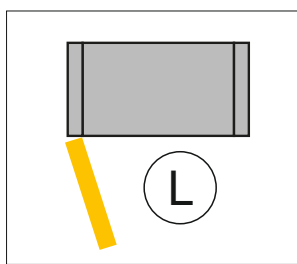
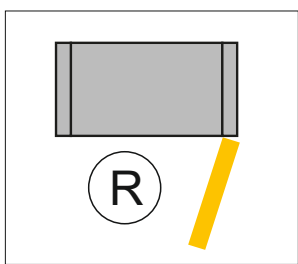
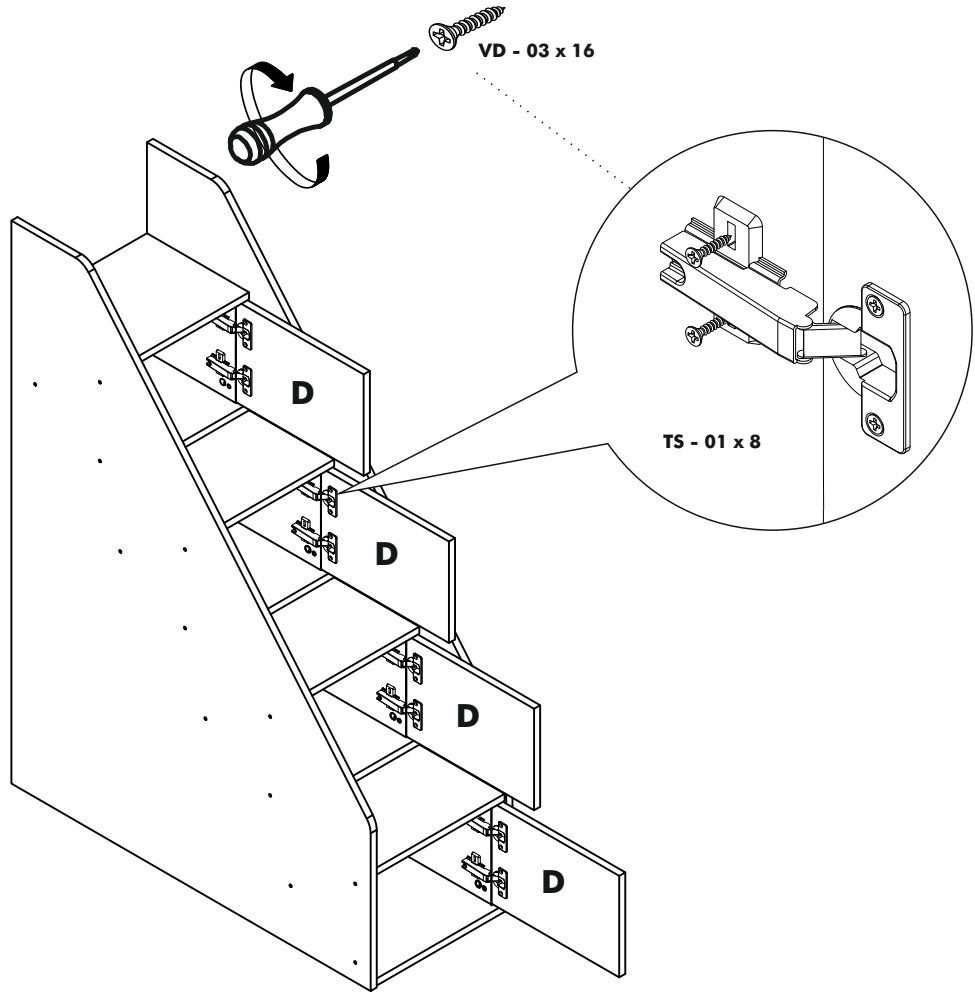


link

STEP 5



STEP 6





MULTiMO

www.multimo.com